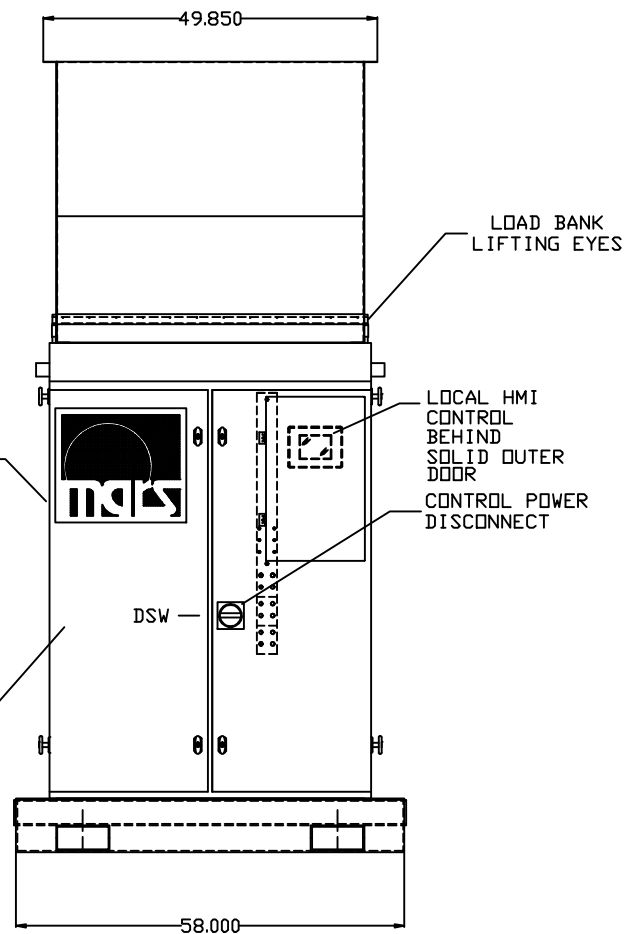
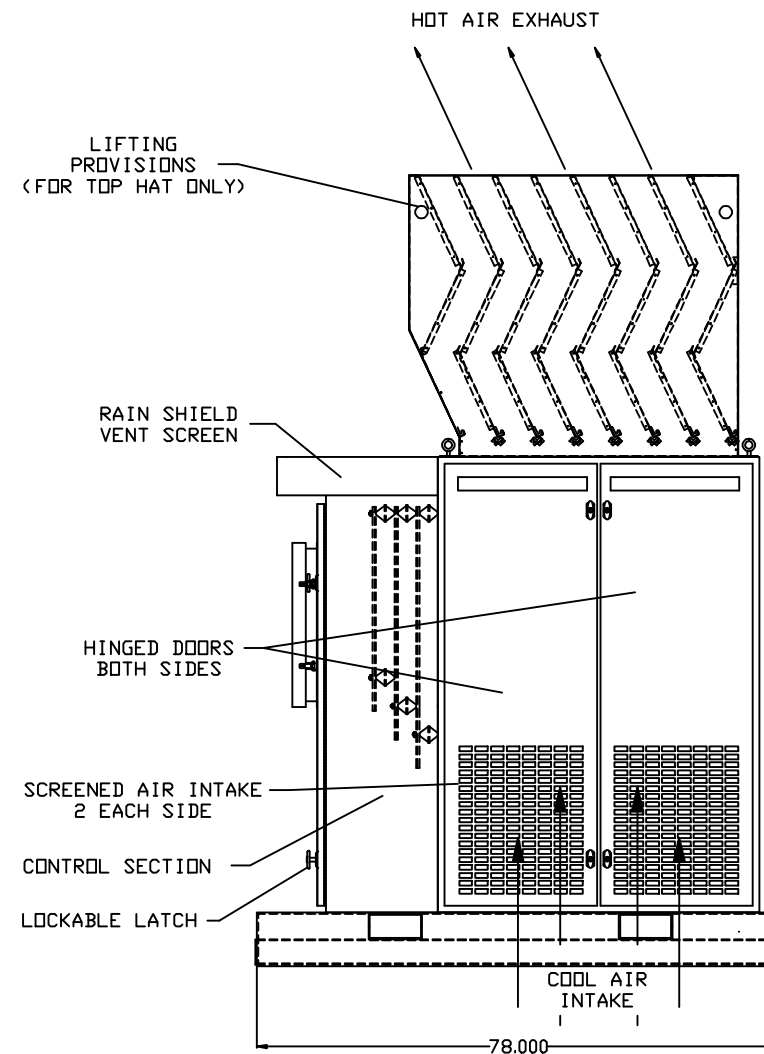


LEFT SIDE VIEW



FRONT VIEW



RIGHT SIDE VIEW

RH CONTROL DOOR

- CONTROL DOOR W/3.6" DIGITAL METER TBD
- CONTROL DOOR W/6" TOUCH SCREEN 7BD216409
- CONTROL DOOR W/6" TOUCH SCREEN & 3.6" DIGITAL METER 7BD218645
- CONTROL DOOR W/6" TOUCH SCREEN & RS485 7BD217902
- CONTROL DOOR W/8" REMOVABLE TOUCH SCREEN 7BD217902
- CONTROL DOOR W/12 HOLES 7BD217463
- CONTROL DOOR W/PCB + 4 AUX 7BD91361
- CONTROL DOOR W/DLC-100 7BD93189
- CONTROL DOOR W/PCB & 4 AUX, AND 3.6" METER 7BD145556

NOTES:

1. BOTTOM OF CONTROL COMPARTMENT AVAILABLE FOR CONDUIT ENTRY.
2. CONSTRUCTION: ALL WELDED FORMED STEEL FRAME, DOORS, PANELS AND SKID. FORK LIFT TUBES 7GA HRS, OUTER SHELL 12GA HRS, BASE SKID, CONTROL BOX AND DOORS 14GA HRS, FAN/ELEMENT DOORS 16GA HRS. ALL HINGES, EXTERIOR FASTENERS, AND EXTERIOR HARDWARE ARE STAINLESS STEEL. EXHAUST HOOD IS GALVANIZED OR PAINTED SHEET STEEL, RIVETED.
3. SURFACE PREPARATION: ABRASIVE CLEANED AND PHOSPHATIZED OR CHEMICALLY CLEANED AND PHOSPHATIZED.
 FINISH COLOR: WHITE
 PRIMER: TILE CLAD WB EPOXY (24702501), PART A, B73A200GRAY PRIMER (24702502), PART B, B73V200CATALYST
 PAINT: CENTURION POLYURETHANE (24708725), B65W711, WHITE (24722500), B65V700, CATALYST UL-508A
4. APPROXIMATE SHIPPING WEIGHT:
 LOAD BANK - 2,200-2,400 LBS
 EXHAUST HOOD - 550 LBS
 FOR FINAL SHIPPING WEIGHT PLEASE CONTACT A SIMPLEX SALES OR SERVICE REPRESENTATIVE

THE INFORMATION HEREON IS THE PROPERTY OF SIMPLEX, INC., AND/OR ITS SUBSIDIARIES. WITHOUT WRITTEN PERMISSION ANY COPYING, TRANSMITTAL TO OTHERS AND USE EXCEPT THAT FOR WHICH IT IS LOANED IS PROHIBITED.
 © 2013 SIMPLEX, INC. ALL RIGHTS RESERVED

A ADDED 4-WAY FORK LIFT BASE		DRAWN BY : MKC
		DATE : 2/8/13
SIMPLEX		
		SPRINGFIELD, ILLINOIS
QTY ~	APPROVED BY :	DRAWN BY : CJK
DATE : 02/01/13		TEMP #
RESISTIVE LOAD BANK		MARS-1000
LOAD BANK PICTORIAL		
W.O. #81145-13-43/7-9		DRAWING NUMBER 251545A